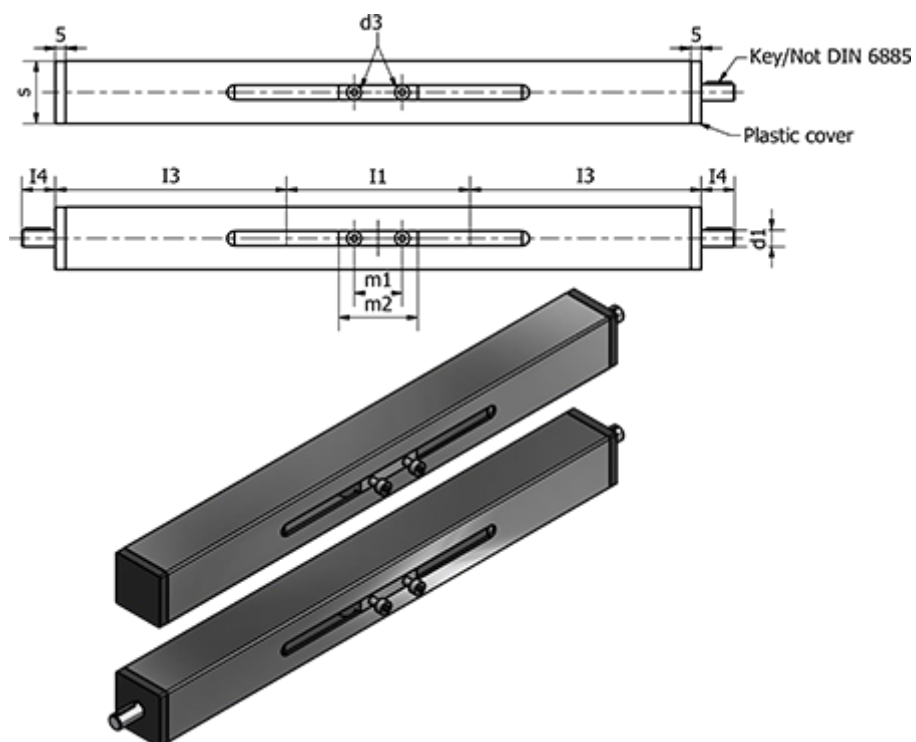


Article number: 2029115065L1SCR

Description: E+G Linear actuators - GN 291.1-50-65-L1-SCR

## Measures



$d1 f7 = 12$

$d2 = M6$

$l1 = 65$

$l2 = l2+245$

$l3 = 122.5$

$l4 = 18$

$m1 = 42$

$m2 = 54$

Max. travel = 1565

$s = 50$

Shaft key DIN 6885 = A4x4x12

Shaft thread = TR20x4